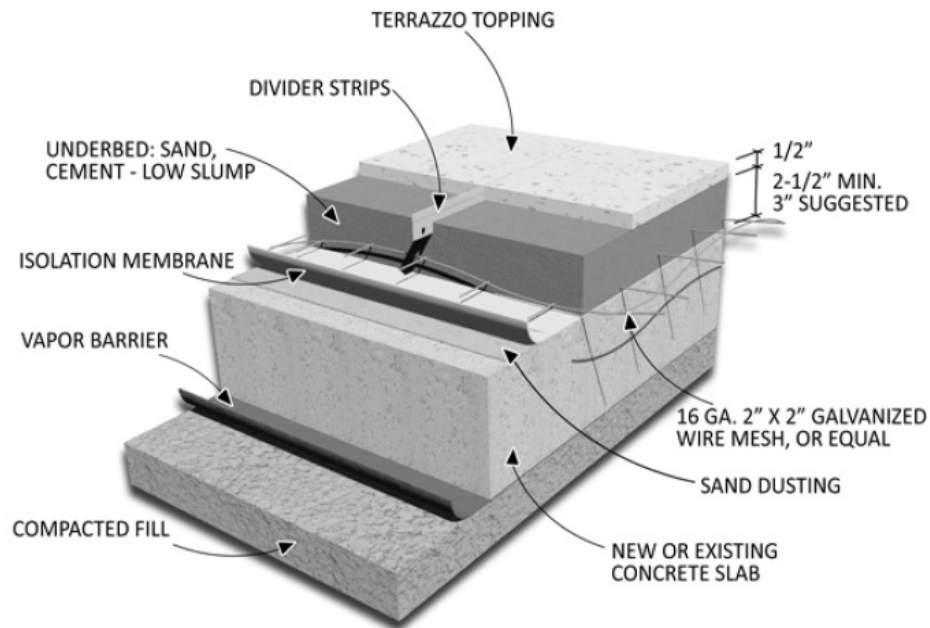


## Sand Cushion Terrazzo (Print)



### Description:

A cement matrix topping underbed with wire reinforcing, isolation sheet, and sand layer system for interior floor use. This is the best cement system.

### **NEW!** AVAILABLE DOWNLOADS:

[Word Doc with LEED](#)

[Word Doc without LEED](#)

[PDF with LEED](#)

[PDF without LEED](#)

[DWG – CAD ready](#)

### Advantages:

Due to the underbed's depth, wire mesh reinforcing, isolation sheeting and sand layer it will absorb minor substrate defects and prevent mirroring to the surface.

Thickness: 2.5" to 3" including a .5" terrazzo topping.

Weight: 25-30 lbs. PSF.

Dividers:

The position of divider strips is essential to performance, serving a dual function: a control for

## **Sand Cushion Terrazzo** (Print)

anticipated contraction and an aesthetic enhancement in separating colors. 5 feet or less on centers.

Architects should design structural inset expansion plates between areas where major movement is anticipated.

**End**